



Commercial  
Vehicles



VOLKSWAGEN CADDY COMBI BASIC

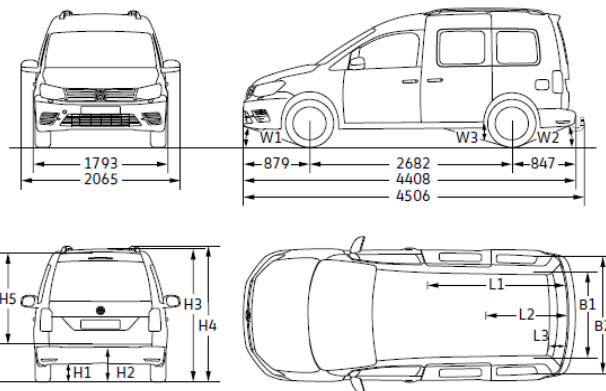


**Commercial  
Vehicles**

Make	Volkswagen Commercial
Model	Caddy Combi Basic
Model Type	SABCH2
Production year	2020

Paint color	Candy White/Candy White
Paint code	B4B4
Upholstery	Black Titan/Black Titan/Black
Upholstery code	DM

Engine	85kW/110 KM Petrol
Transmission	5-speed Manual
Exhaust standard	EURO 4
Wheel base	Short wheel base 2682 mm



Modell/ Abmessung		Caddy	Caddy Trendline BlueMotion	Caddy 4MOTION	Caddy TGI
B1/B2	Gepäckraumbreite, min./max. (mm)	1.120/1.136			
H1	Bodenfreiheit (gemessen unter der Motorabschirmung) (mm)	155	125	153	123
H2	Ladekante über Standebene (mm)	575	545	612	575
H3	Fahrzeughöhe (mm)	1.822	1.792	1.851	1.822
H4	Fahrzeughöhe mit Dachreling (mm)	1.858	-	1.887	1.858
H5	Ladehöhe (mm)	1.226			
L1/L2/L3	Gepäckraumbodenlänge, hinter 1./2./3. Sitzreihe (mm)	1.781/1.095/224			
W1/W2	Böschungswinkel, vorn/hinten (°)	15,7/17,5	13,2/18,1	14,7/23,2	15,7/17,5
W3	Rampenwinkel (°)	13,5	12,3	14,8	13,2
	Seitliche Schiebetüren, Breite x Höhe (mm)	701 x 1.086			
	Heckklappe, Breite x Höhe (mm)	1.183 x 1.127			
	Lade-/Fahrgastraumvolumen, bei 2-/5-/7-Sitzer (l)	3.030/750/190			
	Minimaler Wendekreis, ca. (m)	11,1			



**Commercial  
Vehicles**

### **Additional equipment**

- 1BJ Reinforced suspension (shock absorbers and springs) for poor roads
- 1G2 Full size steel rim spare wheel with jack (1G2)
- 2JG Bumpers painted in body color (2JG)
- 3D2 Center console with 4 cup holders (2 front, 2 rear)
- 3H1 Left seat backrest unlocking function in the driver's cab
- 3NV Triple seat in 2nd row + 2 seater in 3rd row of passenger compartment
- 3RC Tailgate with window
- 4EM Sliding window in passenger/cargo area, front right
- 4UF Driver and passenger airbags with passenger airbag deactivation
- 5AD The floor in the driver's cabin is carpeted
- 5BF The floor in the passenger compartment is carpeted
- 6XN Electrically adjustable and heated exterior mirrors
- 7B6 12V socket in the driver's cabin in the dashboard + in the rear cargo area
- 7P5 Manual adjustment of the lumbar support for the left seat in the driver's cab
- 7X1 Rear bumper parking sensors
- I7D Radio "Composition Audio" with a monochrome screen, without visualization of the park sensors.
- J18 All-season tires 195/65 R15 95T XL with reduced rolling resistance
- ZE8 Electric package I
- ZJ6 7-seater version (2-seater rear seat in 3rd row) (ZJ6)
- ZK2 Air conditioning + lockable storage compartment on the right side, illuminated and cooled (for the version with truck homologation) ZK2



Commercial  
Vehicles

### PR Codes

0D1 Driver's cab door (0D1)  
0.00E+00 Short wheelbase  
0EC Installation for MQ 200 gearbox  
0HD Vehicle class 2K0  
0J2 Standard payload  
0NB Model and engine designations  
0TA Without floor mats  
0VU Control code  
0Y3 Control code  
0YA Control code  
1BJ Reinforced suspension (shock absorbers and springs) for poor roads  
1C1 Antifreeze to -25 degrees C (tolerance to -30 degrees)  
1D0 Without tow bar  
1EY Nameplate - no European approval  
1G2 Full size steel rim spare wheel with jack (1G2)  
1HD Control code  
1MM Handlebar  
1N3 Servotronic power steering, speed dependent  
1NE Mini hubcaps  
1PA Standard wheel bolts  
1SA No additional engine cover on the bottom  
1T0 Without First Aid Kit and Warning Triangle as Factory Fitment, Comes with Dealership (1T0)  
1U8 Without folding tables in the back of the driver and passenger seats  
1X0 Front drive  
1Z0 Fuel tank capacity 55 l (TDI diesel, TSI petrol)  
1ZE Front disc brakes 15"  
2.00E+02 Running gear 15"  
2G1 Fuel label (unleaded)  
2JG Bumpers painted in body color (2JG)  
2V1 Anti-pollen and anti-dust filter, standard  
2WA Excluding auxiliary tyres  
3CA No partition wall  
3D2 Center console with 4 cup holders (2 front, 2 rear)  
3FA Standard Roof  
3H1 Left seat backrest unlocking function in the driver's cab  
3HA No leather trim  
3L1 Height adjustable driver's seat  
3LD Door lining with plastic armrest



**Commercial  
Vehicles**

3M3 Construction type: passenger car  
3NV Triple seat in 2nd row + 2 seater in 3rd row of passenger compartment  
3QB Inertia seat belts  
3RC Tailgate with window  
3S6 Fixing points for roof rails (3S6)  
3SF Passenger seat next to the driver, seat base with drawer preparation  
3TF Driver's seat, seat base ready for drawer  
3U0 Luggage area cover missing  
3W0 Without additional soundproofing of the passenger compartment  
3ZB 2nd and 3rd row seat belts  
4A0 Without heated seats  
4B1 Protective side moldings  
4DE Fixed window in passenger/cargo area, front left  
4EM Sliding window in passenger/cargo area, front right  
4FH Fixed window in passenger/cargo area, rear left  
4GF Windshield made of thermally insulated glass  
4HH Heated rear window  
4I2 Central locking with remote control, with the possibility of activation from the inside  
4JH Fixed window in the passenger/cargo area, rear right  
4L2 Interior rear view mirror  
4N0 Standard dashboard (without glove box) (4N0)  
4R4 Electric windows with automatic window closing function  
4SA Sun visor on the left without make-up mirror  
4TA Sun visor on the right without make-up mirror -> only for special bodies (4TA)  
4UF Driver and passenger airbags with passenger airbag deactivation  
4X0 No side airbags in driver's cab  
4Z3 Storage compartment on the right side of the dashboard, lockable  
5AD The floor in the driver's cabin is carpeted  
5BF The floor in the passenger compartment is carpeted  
5C0 Standard body version  
5CL Comfort molded headliner in the driver's compartment, board headliner in the passenger compartment  
5D1 Carrier frequency 433.92 - 434.42 MHz  
5DC Sidewall lining in passenger/cargo area, standard  
5K0 No protection during transport  
5Q0 Without sliding side door on the left side of the passenger/cargo area  
5R2 Sliding side door on the right side of the passenger/cargo area  
5RQ Right outside mirror convex  
5SL Left aspherical exterior mirror  
5TC Standard dashboard without decorative strip



**Commercial  
Vehicles**

- 6A0 Excluding fire extinguisher as factory fitted item. The car has a dealer fitted fire extinguisher (6A0)
- 6EP Extra protection for undercarriage components, stone chip protection
- 6FA Mirror housings and door handles black (without sliding door guide cover)
- 6K0 Without Front Assist ambient vision system
- 6KD Radiator grille with chrome trim strip
- 6LG Air outlets (black)
- 6U0 Without additional dust seals
- 6XN Electrically adjustable and heated exterior mirrors
- 7AA Immobiliser
- 7B6 12V socket in the driver's cabin in the dashboard + in the rear cargo area
- 7GM Euro 4 emission standard
- 7K0 Without tire pressure indicator
- 7L3 Without start-stop system, without recuperation system
- 7M5 Without door sill protection foil
- 7P5 Manual adjustment of the lumbar support for the left seat in the driver's cab
- 7Q0 Without navigation system
- 7QA No SD card for navigation
- 7X1 Rear bumper parking sensors
- 7Y0 Without Lane Assist
- 8F7 Side indicators
- 8G0 Without High Beam Assist
- 8GU Alternator 140Amp
- 8IA Headlights (H4 halogen bulbs)
- 8K1 Daytime running lights (on while driving)
- 8M1 Rear wiper
- 8N1 Speed-adjustable windshield wipers
- 8QE 1 folding key for central locking remote control
- 8RD 2 speakers
- 8SA Rear lights
- 8T0 Without cruise control
- 8W0 Windshield washer fluid level indicator missing
- 8WA Excluding front fog lamps
- 8X0 Without headlamp washers
- 8Z7 Control code
- 9A0 No special alarm system
- 9CU Passenger/cargo area lighting: 1 lamp (9CU)
- 9D0 Control code
- 9JA No smoking package
- 9M0 Without parking heater



**Commercial  
Vehicles**

9MA Driver's cab lighting  
9NA Without tachograph  
9P1 Audible warning and indicator light when the driver's seat belt is not fastened  
9Q0 Without multifunction display  
9T0 Without heated windshield washer jets  
9W0 Without Bluetooth telephone installation  
9WC No extra multimedia  
9Z0 Supply voltage 12 V  
A60 Control code  
A9M Estate  
AV1 Right-hand traffic  
B0A Control code  
BM3 Control code  
C4B 4 steel wheels 6J x 15  
C64 Operating permit, alteration  
DP7 4-cylinder 1.6 81 kW petrol engine  
E0A Standard version of the vehicle  
EL0 Without online services  
EM0 Without Driver Alert System  
F0A Standard version of the vehicle  
FM0 Standard version of the vehicle  
G0C 5-speed manual transmission  
I7D Radio "Composition Audio" with a monochrome screen, no Polish language, no visualization of the park sensors.  
IG0 Control code  
IM0 Control code  
IN0 Control code  
IS0 No electrical connection for accessories  
J0N Battery 330A (61Ah)  
J18 All-season tires 195/65 R15 95T XL with reduced rolling resistance  
K4B Estate  
KH6 Air conditioning (KH6)  
KK1 Control code  
L0L Left-hand drive vehicle  
L60 Control code  
N2D "Austin" Fabric Seat Upholstery  
NY0 Standard battery and alternator  
NZ0 No eCall system  
QE0 Without mesh pocket under roof frame in passenger compartment  
QG0 No extended service intervals



**Commercial  
Vehicles**

QH0 No voice control  
QI4 Service indicator 15,000 km or 1 year ( fix )  
QJ0 No chrome parts  
QL3 Insulating glass (green)  
QN0 Without storage compartments under the seats in the driver's cab  
QQ0 Without add. lights (interior lighting)  
QR8 Without dynamic road sign display  
QV0 Without TV and digital radio reception  
S86 SKD Volkswagen Commercial Vehicles  
T5I 4 cylinder 1.6 petrol engine  
U5A Speedometer, odometer, tachometer, fuel gauge, clock  
UF0 Without USB port and AUX-IN  
UG4 Hill hold control without ASR button (UG4)  
V0A Tires without brand indication  
VF0 Control code  
X7Y Equipment options subset for export (others)  
Y51 Market-oriented price control  
Z42 Radio "Composition Audio", 2 speakers, no Polish language, no visualization of parking sensors  
ZE8 Electric package I  
ZG5 Reinforced suspension + additional protection of the chassis against stone impact  
ZJ6 7-seater version (2-seater rear seat in 3rd row) (ZJ6)  
ZK2 Air conditioning + lockable storage compartment on the right side, illuminated and cooled (for the version with truck homologation) ZK2



